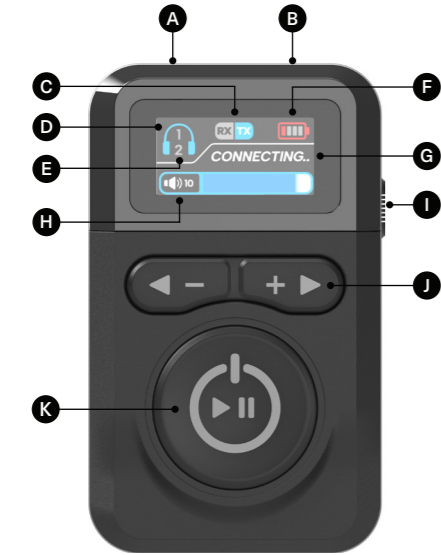


Cygnett and the Cygnett logo are trademarks of Cygnett Pty Ltd. Other brands and product names are trademarks or registered trademarks of their respective holders. Made in China.

Cygnett Pty Ltd 858 Lorimer St, Port Melbourne, Victoria 3207 Australia
Cygnett EU Sikk 17, 3274 KK Heinenoord, The Netherlands
Cygnett USA Inc 3838 W Carson St, Ste 220, Torrance, CA 90503
Cygnett UK Ltd 71-75 Shelton St, London, WC2H 9JQ
Cygnett NZ Ltd Level 9, 45 Queen Street, Auckland 1010



- A AUX Port
- B USB-C Input
- C RX/TX Mode Icon
- D RX/TX Icon Display
- E Number of Devices Connected (TX Mode Only)
- F Battery Level Indicator
- G Connection Status
- H Name of Connected Devices / Volume
- I RX/TX Mode Switch
- J Volume / Next / Back Button
- K Power On / Off / Play / Pause Command Button

Product Specifications

Name	Voyager Wireless Elite Audio Adaptor
Item Number	CY5163VOYAA / CY5164VOYAA
USB-C Input	5.0V~0.5A (2.5W)
BT Version	5.0
BT Compatibility	V4.2/V4.2 LE/V4.0/V3.0/V2.1 + EDR systems
Connection Range	10m
Playback	Up to 30hrs
Charging Time	Up to 2hrs
Working Frequency Band	2402MHz - 2480MHz
Max Power Output	3.28dBm

Caution

Please read all warnings for your safety and optimal user experience. Please read and follow these instructions carefully and retain for your records.

- Do not disassemble or throw into fire or water.
- Do not microwave, incinerate, paint, or insert foreign objects into the product.
- Do not expose to extreme weather conditions.
- Do not use this product if you observe visible defects.
- Do not short circuit the product or store it in a receptacle where it may be short circuited by other metallic or conductive objects.
- Do not operate the product if it has been wet or otherwise damaged, to prevent against electric shock, explosion and/or injury.
- Never attempt to dismantle the unit.
- Children should be supervised to ensure that they do not play with the product.
- Do not leave product/device unattended (e.g., leaving in the car).
- Always disconnect the device when not in use.
- Not to be used in extremely high ambient temperatures.
- Do not use with damaged or faulty accessories.
- Do not place near any sources of heat, open flame, or liquid.

References

If this equipment does cause harmful interference to radio or television reception, which can be determined by turning the equipment off and on, the user is encouraged to try to connect the interference by one or more of the following measures:

- Reorient or relocate the receiving antenna.
- Increase the separate between the equipment and receiver.
- Connect the equipment into an outlet on a circuit different from that to which the receiver is connected.
- Consult the dealer or an experienced radio/TV technician for help.

References

If this equipment does cause harmful interference to radio or television reception, which can be determined by turning the equipment off and on, the user is encouraged to try to connect the interference by one or more of the following measures:

- Reorient or relocate the receiving antenna.
- Increase the separate between the equipment and receiver.
- Connect the equipment into an outlet on a circuit different from that to which the receiver is connected.
- Consult the dealer or an experienced radio/TV technician for help.



This symbol on the product indicates that this product shall not be treated as household waste. Instead it shall be sent to the applicable collection ensuring this product is disposed of correctly, you will help prevent potential negative consequences for the environment and human health. For more information about the recycling of this product, please contact your local city office.

Complies with
IMDA Standards
DA106100

Warranty

Cygnett guarantees to the end use of this product that it is free from defects in material and workmanship – and that if used in accordance with any accompanying labels or instructions, it will perform as specified. This warranty does not cover loss, theft, damages caused by accident, misuse, modification, or normal wear and tear. You are also entitled to have the product repaired or replaced if the product fail to be of acceptable quality and the failure does not amount to a major failure. This warranty is governed by the laws the country in which you purchased your Cygnett product. The product must have been purchased through an authorized dealer. Please note that changes or modifications not expressly approved by the party responsible for compliance could void the user's authority to operate the equipment. Cygnett takes no responsibility for damages caused by incorrect use of its products.



**Voyager Wireless
Elite Audio Adaptor**

User Manual

Understanding Transmit (TX) or Recieve (RX) Mode

Transmit (TX) Mode: Headphones Out

In Transmit mode, the adaptor sends audio to BT devices like headphones or speakers.

Recieve (RX) Mode: AUX In

In Receive mode, the adaptor receives audio from BT sources like phones or tablets, making non-BT devices wireless.



Uses for Transmit (TX) Mode: Headphones Out



Uses for Recieve (RX) Mode: AUX In

Functions

Transmit (TX) Mode

Volume Down: Press ◀

Volume Up: Press ▶

Mute Playback: Press ⏸

Recieve (RX) Mode

Next Song: Press ▶

Previous Song: Press ◀

Pause / Play Music: Press ⏸

Volume Control: Press & hold either ◀ or ▶

Menu: for 2 seconds

Volume Up: Press ▶

Volume Down: Press ◀

Volume menu exits after 2 seconds of inactivity

Device Pairing (TX) Mode

Move Forwards: ▶

Move Backwards: ◀

Select Device: ⏻

Additional TX and RX Functions

Forget Device: Press & hold ◀ & ⏻ for 3 seconds

History: for 3 seconds

Hard Reset: Press ⏻ for 8 seconds

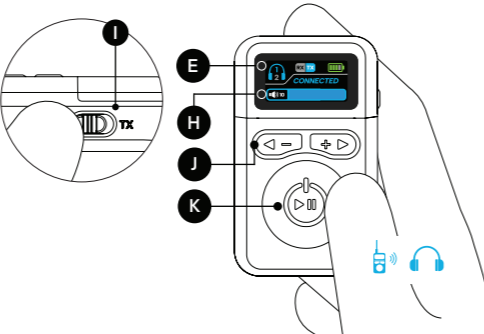
Pairing Headphones Transmit (TX) mode

Ensure BT is turned off on your phone before attempting to pair your headphones to the audio adaptor.

Turning On: Make sure the audio Adaptor is set to Transmit (TX) mode (I). Press and hold the power button (K) for 3 seconds to power on the device.

Pairing Mode: To enter pairing mode, double press the power button (K).

Connecting Headphones: Once your headphones appear on the screen, use the < or > buttons to scroll through the list of devices (J). Press the power button to connect (K).



Headphones Pairing

Successful Connection: When connected, the headphones icon and number will stop flashing and turn solid blue (E).

The connectivity bar will display your headphones name (H).

Please note: The audio adaptor will automatically pair to the first paired headphones when both are turned on. The secondary device will need be manually connected.

Pairing a Second Set of Headphones in Transmit (TX) mode

Pairing a Second Pair of Headphones: After connecting the first pair, double press the power button (K) to enter pairing mode. The number "2" will flash (E).

Headphones Pairing: Put the second pair of headphones in pairing mode.

Connecting Headphones: Once your headphones appear on the screen, use the < or > buttons to scroll through the list of devices (J). Press the power button to connect (K).

Successful Connection: When connected, the number "2" will stop flashing and turn solid blue (E).

The connectivity bar will display your headphones name (H).

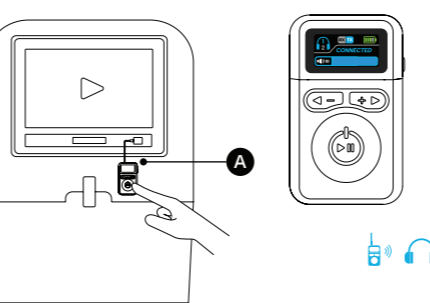
Connecting to Headphones Port in Transmit (TX) Mode

Connecting to Entertainment Systems: Connect the audio adaptor to any entertainment system, such as in-flight entertainment, televisions, handheld gaming devices, or fitness equipment.

AUX Cable Connection: Insert one end of the 3.5mm audio cable into the AUX port of the audio adaptor (A) and the other end into the AUX port of your chosen entertainment system.

In-Flight Entertainment: If needed, connect the provided plane adaptor to ensure stereo sound output.

Please note: Without the plane adaptor, audio from in-flight entertainment systems may play in mono rather than stereo.



Reconnecting Headphones to Your Phone

Once paired, the audio adaptor will remember your headphones and automatically reconnect when powered on.

Reconnecting to Your Phone: To reconnect your headphones to your phone, first turn off the audio adaptor.

Phone BT Settings: Open the BT settings on your phone and select your headphones from the list.

Successful Pairing: The status on your phone will update from "Not Connected" to "Connected".



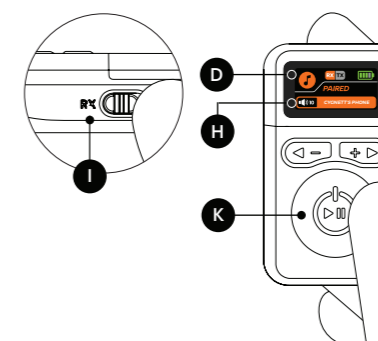
Pairing Device in Receive (RX) mode

Ensure the audio adaptor is in Receive (RX) mode (I).

Turning On: Press and hold the power button (K) for 3 seconds to turn it on. The audio adaptor will automatically enter pairing mode, this is shown by the grey music icon (D).

Device BT Settings: Open the BT settings on your device and select "Voyager Audio".

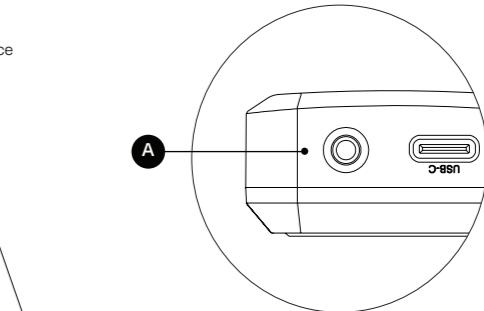
Successful Connection: When connected, the music icon will turn solid orange (D). The connectivity bar will display the device name (H).



Connecting to Headphones Port in Receive (RX) Mode

Audio Playback via AUX In: Play audio through the AUX In port of your car, boat, home stereo system, or non-BT speakers by transmitting from your phone.

AUX Cable Connection: Insert one end of the 3.5mm audio cable into the AUX port of the audio adaptor (A), and the other end into the AUX In of your receiving device.

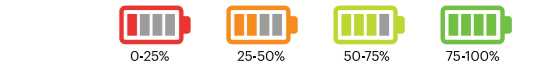


Charging

To charge, connect the included USB-A to USB-C cable. Plug the USB-C end into the audio adaptor USB-C port and the USB-A end into any powered USB-A port. The audio adaptor is fully charged within 2 hours.

Battery Indicator

The below icons shown in the battery level indicator (F) display the charge level of the audio adaptor:



Trouble Shooting

When in TX pairing menu, wait for up to 10 seconds for the audio adaptor to find devices in pairing mode. (BT search refreshes every 6 seconds).

The audio adaptor will automatically pair to the first paired headphones when both are turned on. The secondary devices will need to be manually connected.

Quick Start Guide

Turn On Audio Adaptor:

1. Press and hold the power button for 3 seconds.
2. Put Headphones in Pairing Mode.

Enter Pairing Menu (TX Mode):

1. Double press the power button on the audio adaptor.
2. Select Headphones: Use < or > to scroll through devices, then press the power button to select your headphones.

Connect AUX Cable:

Plug one end of the AUX cable into the headphones port and the other end into the audio adaptor.